

V1

AY FITTINGS





Innovative Design and Engineering Solutions for Manufacturers.

Here at Allen, we are much more than just marine hardware specialists. We are engineering experts and work with a wide variety of companies in different sectors, such as; medical equipment, automotive parts, window manufacturing, public and defence sector, theatre, advertising, aviation and much more.

We are able to do this due to the multiplicity of in-house resources. Our close-knit team of engineers and designers work to deliver premium solutions for custom or mass-production jobs, and as an ISO9001 accredited business, we are capable of mass manufacturing high-quality products as well as ensuring a high level of craftsmanship is carried out on all custom items.

As a British, family-owned business, we ensure 100% of our products are designed, manufactured and assembled in-house at our factory in Essex. All our materials, where possible, are sourced from within the UK. We also guarantee a competitive and fair price for any job we undertake.

If you have any custom requirements, big or small, marine or non-marine, don't hesitate to get in touch to see how we can solve your problems.

Allen In-house resources include:

Design & CAD modelling – using advanced PTC Creo CAD software our design team can quickly develop new ideas and designs into computer models, which can be structurally assessed with our Ansys computer simulated stress analysis software. Prototype models can be seen within hours using our Dimension 3D part printer.

Tool making - finished designs are seamlessly progressed through the tool making stages using the parametric features of PTC Creo tool design and NC machining software. Our toolmakers can produce single or multi-impression tools for injection moulding, sheet metal pierce and blank tools,

secondary operation form tools, assembly jigs and fixtures.

Component parts - our factory is equipped to manufacture a diverse range of parts. So we can be particularly flexible in the production of short-run specialist parts, and low to medium volume quantities.

CNC injection moulding - we are experts in the use of advanced engineering polymers and composites such as carbon fibre filled acetals and nylons.

CNC turned parts - our 5 axis sliding head lathes produce high precision parts in all materials.

CNC sheet metal forming – our presses produce pierced and blanked parts, with secondary forming.

CNC milled parts – 2 HAAS 3-axis vertical milling centres allow us to make precision milled parts in a range of material from marine grade 6082 aluminium to Brass & Acetal.

CNC Lathe – Doosan and Star Lathes enable us to produce precise and efficient turning operations, allowing for intricate designs and consistent output.

Fabrication - our versatile and skilled workforce can provide fully assembled products, using a range of techniques such as welding, drilling, riveting, threaded fasteners, adhesives, pad-printing and packing.

Sales and distribution - Our efficient and dedicated sales team is ready to take your orders and will endeavour to dispatch all orders received before 3 pm on the same day, if in stock. Worldwide distribution can be arranged by our export manager.



AY Fittings

Aluminium Yacht Fittings - We produce a vast range of CNC milled fittings in Aluminium. The majority of designs in this range are based on our old YS Fittings range which were cast rather than milled. The milling process allows us to produce a precision engineered, consistently accurate product, resulting in a higher quality finish and a more easily fitted piece of hardware.

All fittings in this range are available with a Silver or Black hard anodised finish. For more detailed information please contact us or visit our website. We have PDF technical drawings available for all items, to view them go to www.allenbrothers.co.uk and search the part number you require to go straight to the product page.

For custom solutions, please email sales@allenbrothers.co.uk.



Horn Cleats - Available in a variety of styles and fixing designs. Suitable for large dinghies and yachts. Available in Black or Silver.



AY7106A

AY7107B
AY7107C
AY7107E
AY7107F

AY7109A
AY7109B
AY7109C

AY7115A
AY7115B
AY7115C

AY7200A
AY7200B
AY7200C

Part Number	Description	Horn Length mm	Horn Width mm	Fixing Hole Centres mm	Fixing Hole Dia. mm	Feet Width mm	Height mm
AY7106A	Sheerline Cleat	246	24	95 x 45	6.2	118	69.8
AY7107B	Mast Cleat	112	21	26	5.2	22	22
AY7107C	Mast Cleat	156	28	30	6.2	30	28
AY7107E	Mast Cleat	200	30	35	6.2	32	34
AY7107F	Mast Cleat	255	38	45	10.2	40	42
AY7109A	Four Hole Cleat	156	28	40 x 46	8.2	68	38
AY7109B	Four Hole Cleat	200	36	55 x 56	8	80	48
AY7109C	Four Hole Cleat	265	42	75 x 74	8.2	100	50
AY7115A	Two Hole Cleat	156	29	48	6.2	31.59	33
AY7115B	Two Hole Cleat	180	32	54	6.2	34.58	36
AY7115C	Two Hole Cleat	200	36	59	6.2	37.7	40
AY7200A	Bottom Fixed Cleat	156	27	40	8	14	28
AY7200B	Bottom Fixed Cleat	200	35	55	8	18	35
AY7200C	Bottom Fixed Cleat	265	41	75	10	22	40

Fairleads - Handed, open and closed fairleads are ideal for leading mooring or control lines. Available in Black or Silver. Handed fairleads are available in left or right orientation. Please state which version you require when ordering.



Available in black.



AY7120A
AY7120C
AY7120D
AY7120E

AY7201A
AY7201C
AY7201E

AY7202A
AY7202C
AY7202D
AY7202E

Part Number	Description	Max Internal Width mm	Opening Distance mm	Length mm	Width mm	Height mm	Fixing Hole Centres mm	Fixing Hole Size mm
AY7120A-L / AY7120A-R	Handed Open Fairlead - Left / Right	36	11	86	15	25	67.5	5.2
AY7120C-L / AY7120C-R	Handed Open Fairlead - Left / Right	56	13.5	128	28	34	105	6.2
AY7120D-L / AY7120D-R	Handed Open Fairlead - Left / Right	61	15	145	29	40	105	8.2
AY7120E-L / AY7120E-R	Handed Open Fairlead - Left / Right	74	18	176	32	42	150	8.2
AY7201A	Open Fairlead	36	12.5	86	15	25	67.5	5.2
AY7201C	Open Fairlead	56	15	128	28	34	105	6.2
AY7201D	Open Fairlead	61	15	145	29	40	117	8.2
AY7201E	Open Fairlead	74	22	176	32	42	150	8.2
AY7202A	Closed Fairlead	36	-	86	15	25	67.5	5.2
AY7202C	Closed Fairlead	56	-	128	28	34	105	6.2
AY7202D	Closed Fairlead	61	-	145	29	40	117	8.2
AY7202E	Closed Fairlead	74	-	176	32	42	150	8.2

Deck Filler Cap - The cap features a retaining chain, so the cap cannot be dropped and lost overboard. Comes with colour coded inserts for Fuel, Diesel, Waste and Water. The cap is available with a winch handle star opening or a large flat cross section.

Part Number	Description	Tube Size mm	External Dia. mm	Fixing Hole Size mm	Cap Dia. mm	Depth mm
AY.812	38mm Deck Filler - Slot	38	86.5	7.5	50	62.7
AY.813	38mm Deck Filler - Star	38	86.5	7.5	50	62.7
AY.850	50mm Deck Filler - Star	50	94	7.5	54.3	71.5
AY.851	50mm Deck Filler - Slot	50	94	7.5	54.3	71.5



Round Sealed Portlight - Toughened glass sandwiched between a milled aluminium ring. Sealed and tested to ensure complete water tight fit when installed.

Part Number	Description	External Dia. mm	Fixing Depth mm	Fixing Hole Size mm	Thickness mm	Weight g
AY.872C	Round Sealed Portlight	222	15	5.2	23	0.9



Bulkhead Fairlead - Designed to be installed when you need to run large mooring lines through a bulkhead or any other part of a marine vessel.

Part Number	Description	External Width mm	Fixing Depth mm	Fixing Hole Size mm	Thickness mm	Width mm
AY.863A	Bulkhead Fairlead	108	12	4	32	60



AY Fittings

Stanchions – Designed to support lifelines or guardrails on the perimeter of a yacht. Turned from marine grade aluminium and available in a variety of sizes and shapes. For custom lengths please contact us.



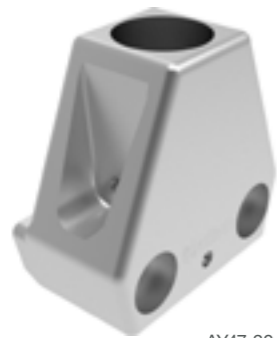
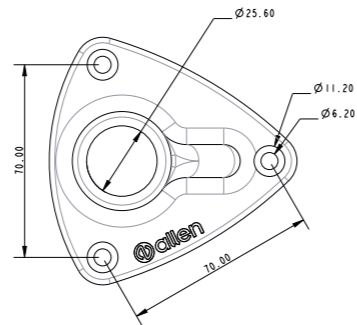
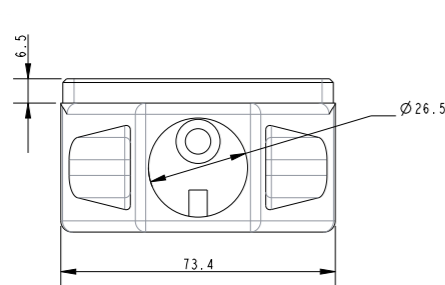
AY47H
AY47K



AY7165A
AY7165B
AY7165C
AY7165D

Part Number	Description	Total Length mm	Top Hole Height mm	Middle Hole Height mm	Diameter mm	Fixing Hole Height mm	Fixing Hole
AY47H	Toe Rail Stanchion	610	597	343	25.4	25.4	4.8
AY47K	Toe Rail Stanchion	687	674	369	25.4	25.4	4.8
AY7165A	Tapered Stanchion	508	495.5	-	25.4	25	4.8
AY7165B	Tapered Stanchion	635	622.5	305	25.4	25	4.8
AY7165C	Tapered Stanchion	762	749.5	347	25.4	25	4.8
AY7165D	Tapered Stanchion	560	547	-	25.4	25	4.8

Stanchion Bases – Designed to support lifelines or guardrails on the perimeter of a yacht. Turned from marine grade aluminium and available in a variety of sizes and shapes. For custom lengths please contact us.



AY47-20



AY7157B

Part Number	Description	Inside Diameter mm	Fixing Hole Centers mm	Fixing Hole Size mm	Height mm
AY47-20	Toe Rail Stanchion Base	26.5	45.5	6.8	72
AY7157B	Buttress Stanchion Pot	25.6	70	6.2	62.5

Toe Rail Spring Cleat – Designed to be fitted to the toe rail around the edge of the deck. Easily installed to the toe rail extrusion with the two nuts and bolts provided. Milled from marine grade aluminium and hard anodized Silver.



Part Number	Description	Horn Length	Horn Width	Fixing Hole Centres mm	Fixing Hole Dia. mm	Weight g
AY9185	Toe Rail Spring Cleat	200	32	150	8.2	519



AY.846A



AY.845A

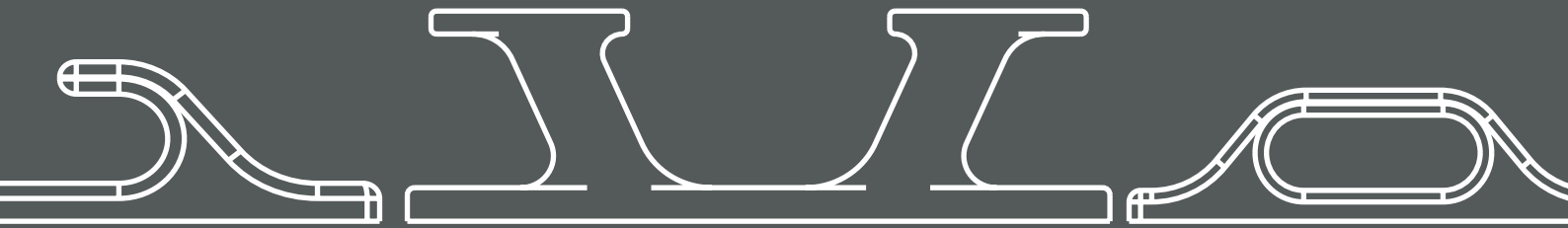
Handrail Bracket – These handrail brackets have been designed to suit a 25mm handrail tube. Ideal for creating a handrail on working boats and external building applications. Machined from marine grade aluminium and hard anodised in Silver. Available in Black on request.

Part Number	Description	Internal Dia. mm	Height to centre of handrail mm	Fixing Hole Size mm	Fixing Hole Centers mm	Width mm
AY.846A	Handrail Bracket End	25.50	50	4.6	17 x 46	32
AY.845A	Handrail Bracket Open	25.50	50	4.6	17 x 46	32

Raked Bollard – Large raked bollard for use on working boats, pontoons, or quays. Milled from marine grade aluminium and hard anodized Silver.



Part Number	Description	Horn Length mm	Horn Width mm	Fixing Hole Centres mm	Fixing Hole Dia. mm	Weight g
AY7112F	Raked Bollard	108	82	175 x 62	12.20	3420



www.allenbrothers.co.uk

 [allensailinghardware](#)

 [@allen_sailing](#)

 [@allen_sailing](#)

 sales@allenbrothers.co.uk