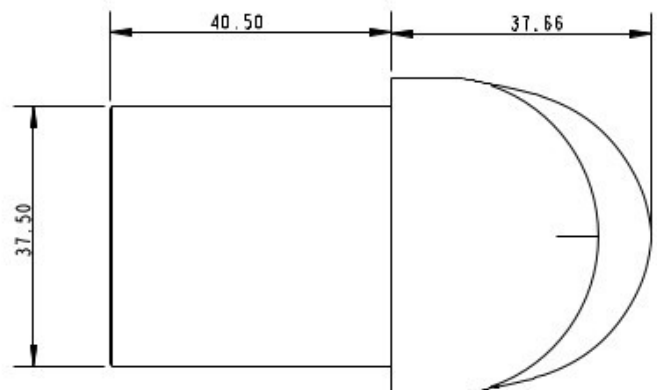
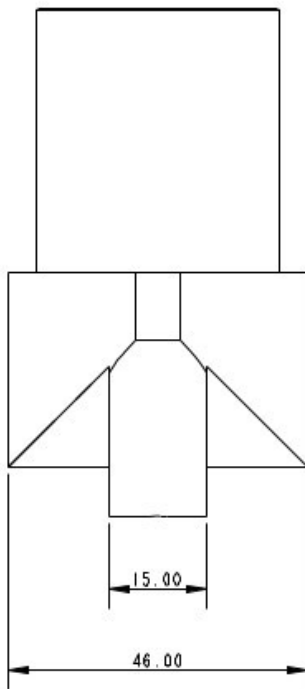


A9150



- Product Description: Pivoting Mast Heel
- Inside Mast Length: 40mm
- Overall Length: 77mm
- Outside Diameter: 46mm
- Inside Diameter: 37mm
- For Use With: Selden Mast Profile



Details: The pivoting mast heel is designed for dinghies or small keelboats that have easily adjustable rigging whilst sailing. By allowing the mast heel to pivot it reduces loading points in the deck of the boat and spreads the forces more evenly. Having a pivoting mast heel also allows for a consistent mast bend profile resulting in more accurate rig setup. The A9150 is designed for use with the Selden carbon mast. Made from Acetal.